

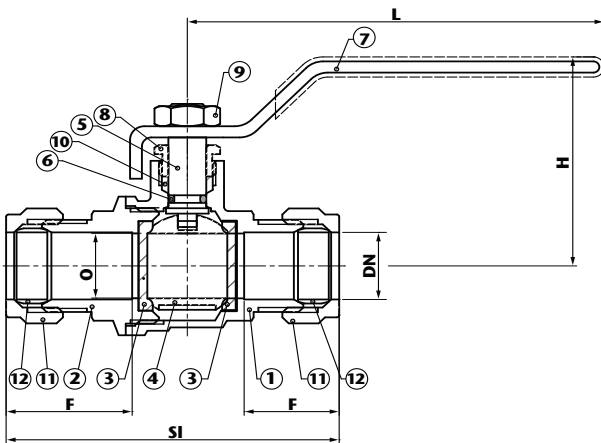
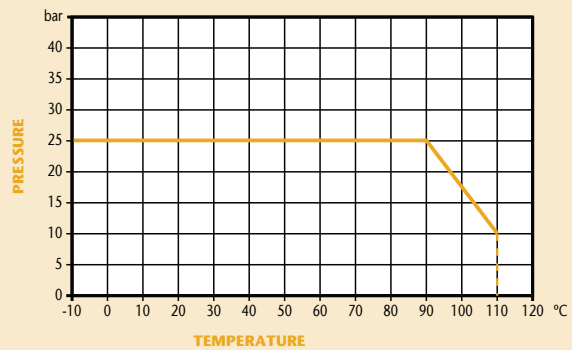
PN25 DZR Brass Ball Valve

Features

- Compression Ends
- Anti-Blow-Out Stem
- PTFE Seats & Seals
- Full Bore
- WRAS Approved



Pressure / Temperature



DN	15	22	28	35	42	54
O	14.5	19.0	24.5	31.5	39.5	49.5
F	18.75	20.25	22	24	28	32
S1	70.5	80	91.5	109	123	150
H	52.5	54.5	69	78	86	100
L	83	93	124	133	133	158
Kgs	0.23	0.34	0.57	0.94	1.31	2.15

Technical Data

Max Pressure 25 Bar
 Working Temperature -10°C to +110°C

N.	Part Name	Materials
1	Body	DZR Brass
2	Body End	DZR Brass
3	Seat	PTFE
4	Ball	Brass Chrome Plated
5	Stem	Brass
6	O-ring	NBR
7	Lever	Steel
8	Lock Nut	Brass
9	Nut	Steel
10	Stem Packing	PTFE
11	Nut	Brass
12	Olive	Brass

Dimensions in mm

This data sheet is designed as a guide and should not be regarded as wholly accurate in every detail. We reserve the right to amend the specification of any product without notice.